



## REFLECTOR LINEAR PENDANT

Light is cast onto a floating reflector, washing the room with a soft indirect light.

Made from precisely machined aluminium components, the reflector is then finished in a super matte powder coat or clear anodised.

The other parts are finished in a tactile anodised coat, revealing the grain of the aluminium beneath the surface.

### FINISHES

#### BODY

Brushed silver  
Anodised



Brushed satin  
gold Anodised



Matte black  
powder coated



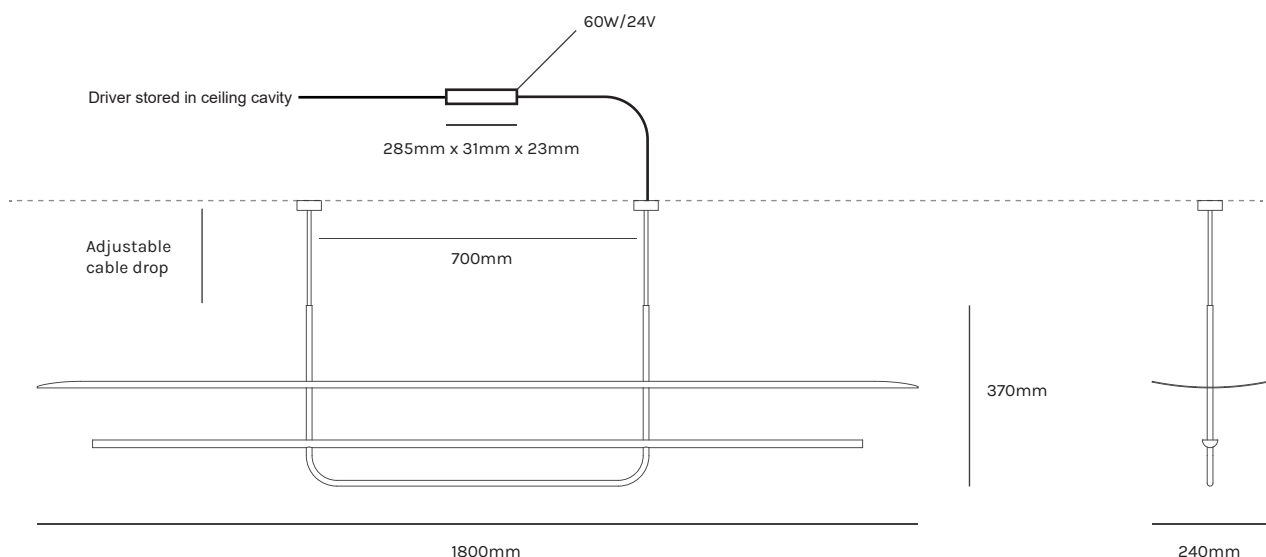
#### REFLECTOR

White



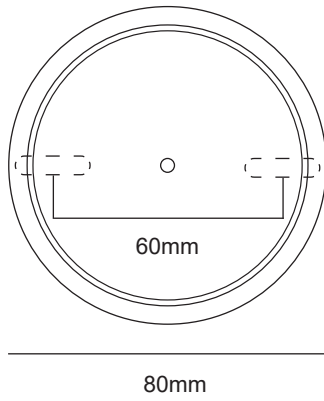
### SPECIFICATIONS

<b>Warranty</b>	12 Months
<b>Mounting</b>	Ceiling
<b>Environment</b>	Indoor
<b>Weight</b>	4kg
<b>Light Source</b>	24V warm white (3000K) LED
<b>Voltage</b>	24V
<b>Power</b>	38W
<b>Cord</b>	Black fabric covered
<b>Supply Included</b>	Yes -240V (AUS/NZ) / 120V(US) to 24V
<b>Materials</b>	Anodised / Powder coated Aluminium
<b>LED Lumens</b>	3100 Lumen LED strip  (Some loss of Lumens occurs with reflected light source).

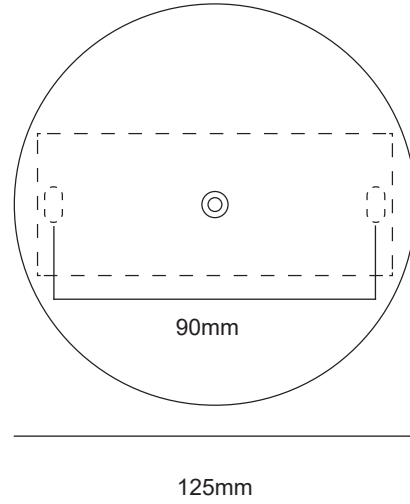


## CANOPY SPECIFICATIONS

Seamless Canopy  
(Standard)



Large Canopy  
Option for US orders

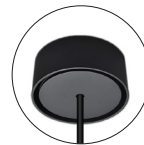


## CANOPY STYLE



### COLOUR

Black



White



### INSTALLATION STYLE

Surface



Flush Mount

