

Sibling Pendant

A contemporary pendant designed to suit timber interiors or vibrant interior palettes. The Sibling Pendant is available in endless powdercoat shade colours, or solid brass in a slate patina or natural brass finish. The timber top is available in custom hardwood species or timber finishes for even more customisation.

Technical Details

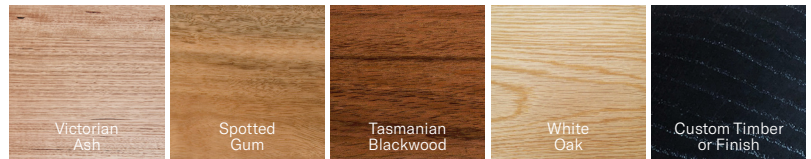
Dimensions	Ø187 x 180mm
Material	Solid Hardwood, Spun Brass Shade, Glass Opal Bulb, Textile Cord
Bulb	ø80mm Matte Opal Glass Bulb (E14)
Input Power	240V DC
CRI	90
Wattage	6W
Lumens	600lm
Colour Temperature	2700K Soft Warm White
Dimming	Yes
Warranty	5 Years



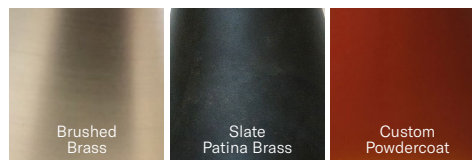
Create a Custom Pendant

Pendant	Sibling Pendant	SP
Timber Top	Victorian Ash Spotted Gum Tasmanian Blackwood White Oak Custom	VA SG TB WO C
Shade Finish	Brushed Brass Slate Patina Brass Custom Powdercoat	BB SB PO
Ceiling Plate	Canopy Ø80mm	80
Ceiling Plate Colour	White Black Solid Brass Solid Copper Custom Powdercoat	W B C B P
Cable Colour	White Textile Black Textile Custom	WC BC CC
Gripper Colour	White Black Solid Brass Custom Powdercoat	WH BL BR CU
Drop Length	1.5m Standard Custom	1.5m __m

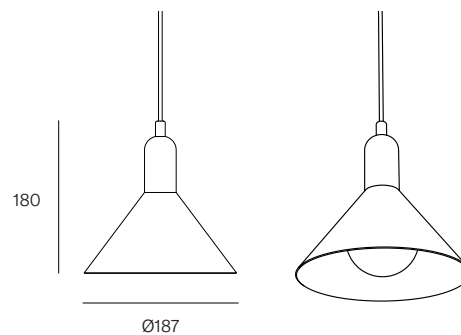
Timber Top



Shade Finish

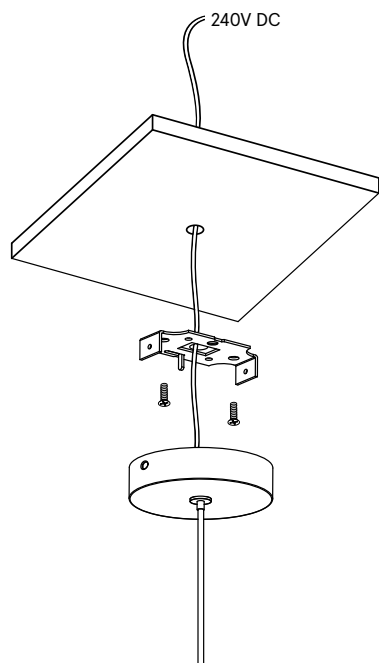


Dimensions



Sibling Pendant

Ceiling Plate Details



Canopy
Ø80 x 25mm

Suitable for full ceiling
access to place the remote
driver from above.

Cutout hole: 10-20mm